



The National Cyber Range Complex

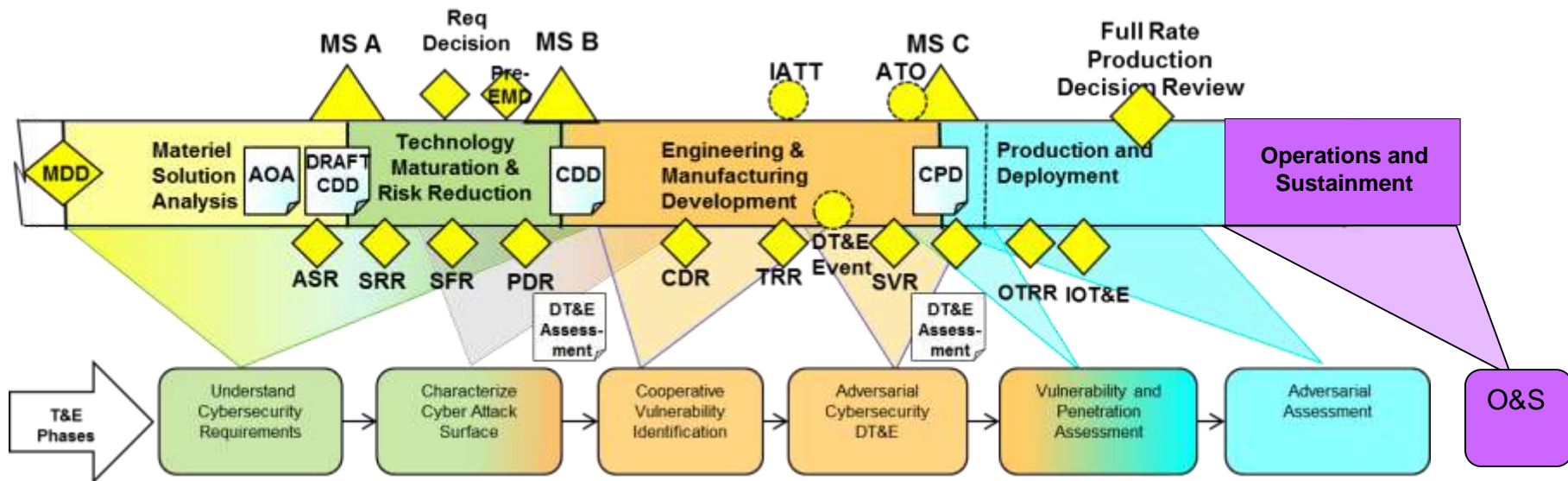
*Enabling Operationally Realistic T&E, Training, and
Mission Rehearsal for the DoD*

**ITEA SoS Engineering Workshop
25 January 2017
El Paso, TX**

Dr. Robert N. Tamburello
Deputy Director, National Cyber Range
Test Resource Management Center
robert.n.tamburello.civ@mail.mil



Cybersecurity T&E across the Acquisition Life Cycle



Cybersecurity T&E activities are iterative and incremental

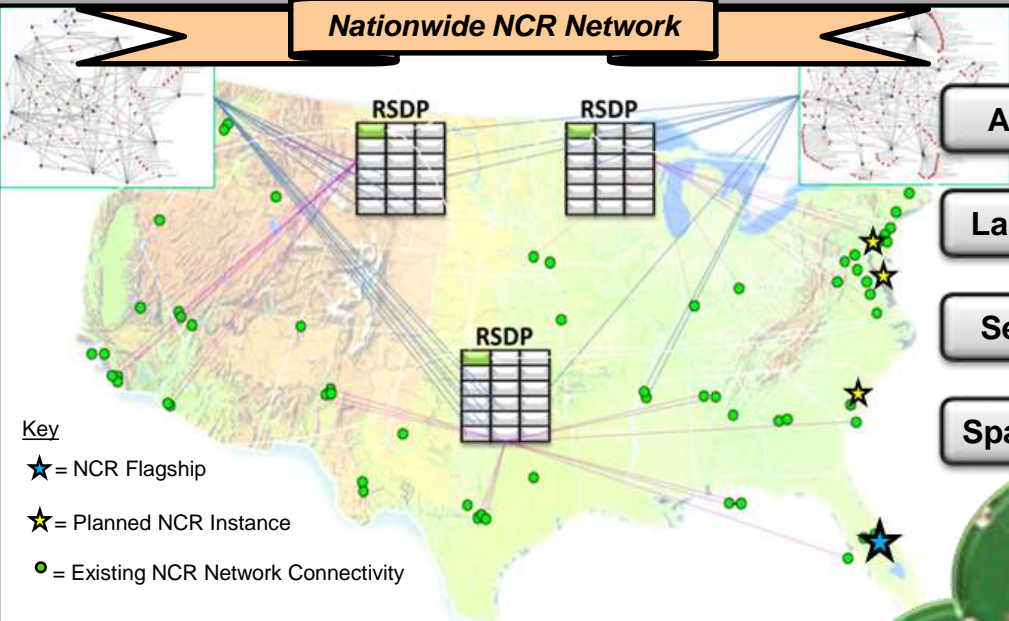
The Demand Signal is Growing in all Phases!



National Cyber Range Complex

Mission: Improve the resiliency of our warfighters in the cyber-contested battlespace by conducting testing and training events in operationally-representative cyberspace environments

Nationwide NCR Network



- Air
- Land
- Sea
- Space



Augmenting existing capabilities to deploy current and future systems to include avionics HW&SW, ICS/SCADA, and more.



National Cyber Range Overview Day

- When : March 15, 2017
9:00 AM to 3:00 PM
- Where: NCR in Orlando, FL
- What: An overview of the NCR will be presented including:
 - What type of testing you can do with the NCR
 - How to plan an NCR event
 - Example of Testing with the NCR
 - Example Training Event Environments Produced with the NCR
- Who: Government (or SETA) personnel who are interested in using the NCR
- Requirements: Minimum of SECRET Clearance
- Contact: Meredith Brehm (meredith.brehm@lmco.com) for additional information